

Order No: \_\_\_\_\_ Customer: \_\_\_\_\_  
 End User: \_\_\_\_\_  
 Application: \_\_\_\_\_

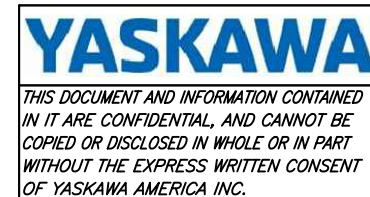
TABLE OF CONTENTS		
PAGE	TITLE	REVISIONS
1	TABLE OF CONTENTS	
2	ONE LINE DIAGRAM	
3	MAIN POWER CIRCUIT – TRANSFORMER, POWER CELL, & VOLTAGE FEEDBACK	02
4	CONTROL POWER CIRCUIT (1) – TRANSFORMER & POWER CELL FANS	02
5	CONTROL POWER CIRCUIT (2) – DC POWER DIST & MAIN CONTROL BOARD	
6	CONTROL POWER CIRCUIT (3) – FIBER OPTIC CABLES & MAIN CONTACTOR CONTROL	02
7	CONTROL POWER CIRCUIT (4) – DIGITAL INPUTS	02
8	CONTROL POWER CIRCUIT (5) – DIGITAL OUTPUTS	
9	CONTROL POWER CIRCUIT (6) – ANALOG INPUTS & OUTPUTS	
10	CONTROL POWER CIRCUIT (7) – CUSTOMER INPUTS AND OUTPUTS	
11	ELECTRICAL COMPONENT LIST	02

SECTION DESIGNATOR	NAME	DESCRIPTION
(IM)	▲ INDUCTION MOTOR	4160V 3φ 60Hz
		HP A RPM
(DISC)	▲ MAIN POWER DISCONNECT	2400V 3φ 60Hz
(CI)	▲ CONTROL INTERFACE	240V AC @ 1.5kVA
		120V AC @ 300VA
(XFMR)	TRANSFORMER CABINET	735kVA 2400V/1200V 60Hz
		2400V UNIT INPUT 60HZ
(CELL)	CELL CABINET	DRIVE: MV2UA6DA102E1ABB MV2UA6DA102E2ABB
		MODEL: MV2UA6DA102E1ABB MV2UA6DA102E2ABB
		800HP 102A
		4160V UNIT OUTPUT 60HZ
(CTRL)	CONTROL CABINET	240V AC / 120V AC
(SWG)	SWITCH GEAR UNIT	DISC. SWITCH: 400A, 5kV E-RATED FUSE: 250A, 5.5kV CONTACTOR: 400A, 7.2kV

**SUMMARY OF NOTES:**

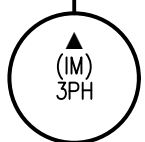
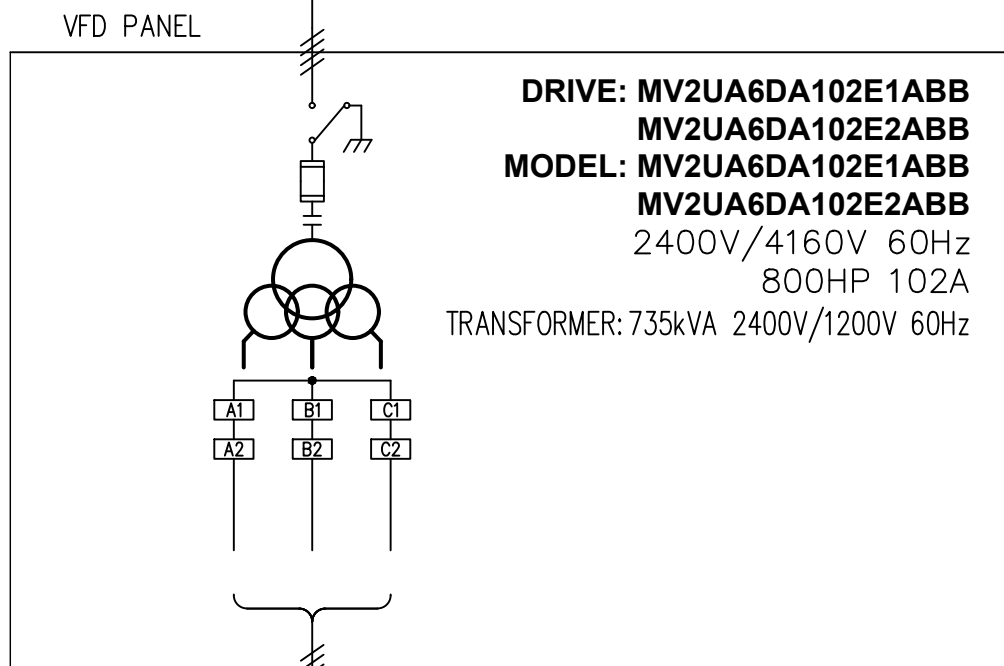
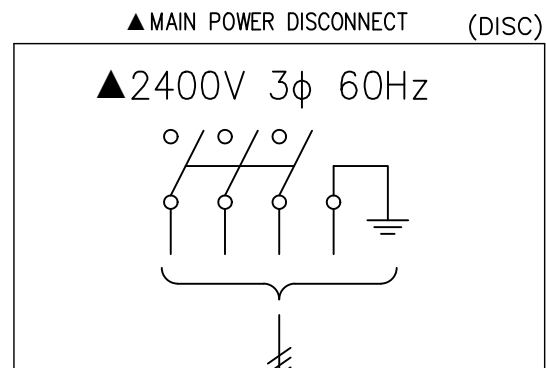
1. CLASS A GROUND RESISTANCE: BELOW 10 OHM  $\ll$
2. CLASS D GROUND RESISTANCE: BELOW 100 OHM  $\pm$
3. ▲ CUSTOMER TO PROVIDE/USE
4. SEE PAGE 48–54 FOR PARAMETER SETTING DETAILS
5. (#) ELECTRICAL COMPONENT LIST REFERENCE NUMBER

REV	DESCRIPTION	EC #	DRAWN BY	DATE
02	UPDATE FAN SD PART#, FIX PRG & PLS OPS, CORRECT FAN TO FAN FAULT PCB WIRING, DI-B DESCRIPTION, IN CONTACT REF LOCATION	8854	K.SCHMIDLING	08/01/18
01	NEW PS, CORRECTED CONTR. VOLTAGE TERM BLKS, WPD ALARM TEXT, WPD ALARM TEXT, SG GND, & SG DOUBLE W/O SW CORRECTION	8067	C.JETT	01/17/18
00	INITIAL RELEASE	-	E.WEISPFENNING	11/02/16



DRAWN: E.WEISPFENNING	DATE: 11/02/16	TITLE: SCHEMATIC MV 800HP 102A W/ SG 240/120V
CHECKED: M.SEVILLA	DATE: 11/02/16	MATERIAL # N/A
TECH: -	DATE: -	SIZE B
APPROVED: B.SCHOWANSON	DATE: 11/02/16	REVISION 02
ORIGINAL DESIGN: E.WEISPFENNING	DATE: 10/11/16	PAGE 1 OF 11
DRAWING #: DS.MV1K.N1.AD.10C.04		

ONE LINE DIAGRAM

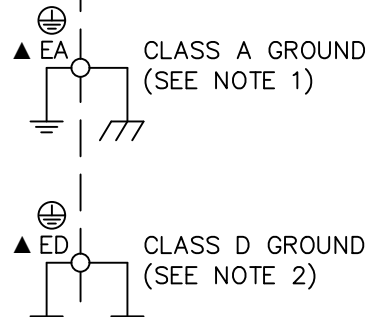
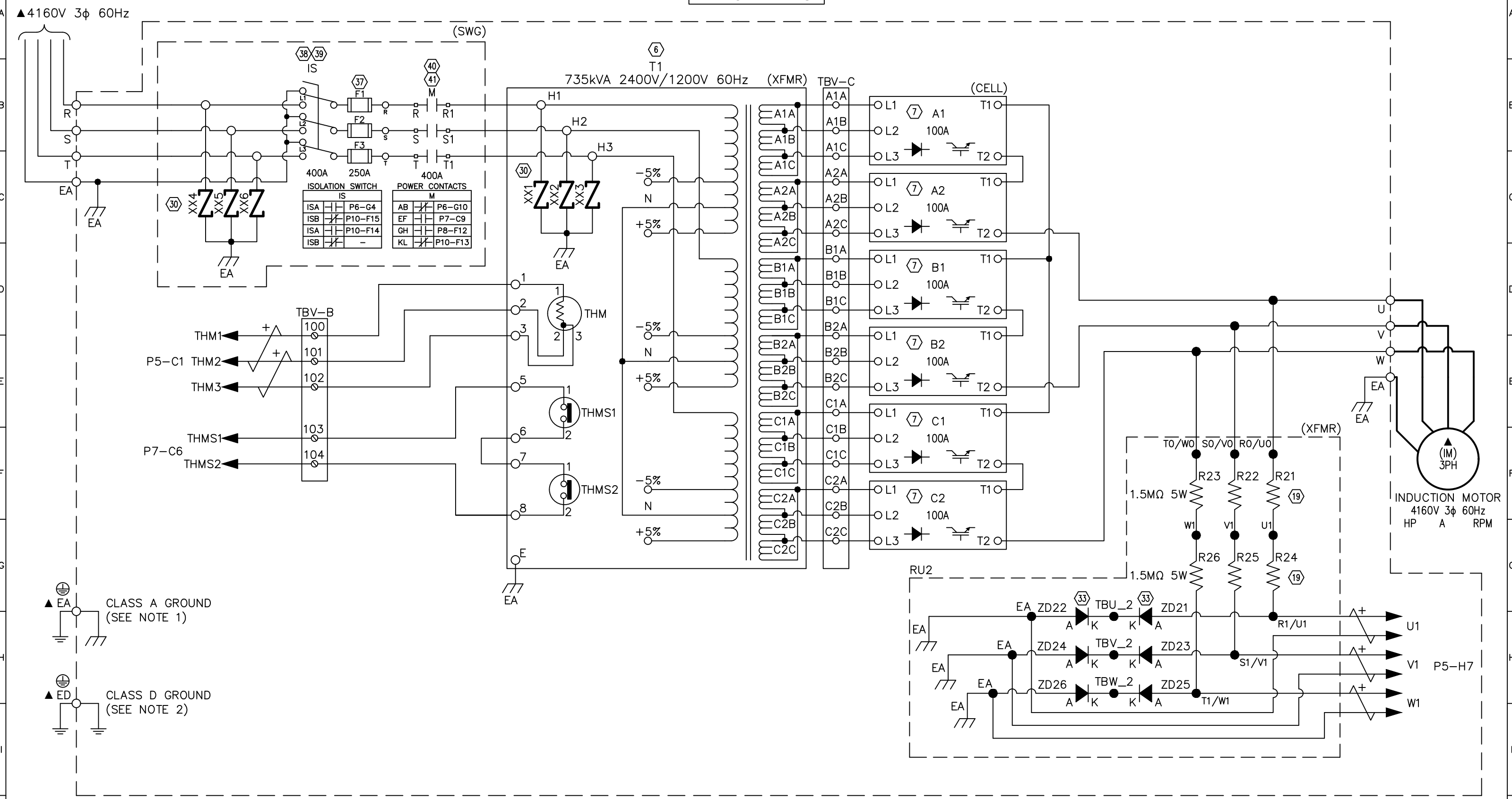


INDUCTION MOTOR  
4160V 3φ 60Hz  
HP A RPM

NOTES:  
3. ▲ CUSTOMER TO PROVIDE/USE

<p><i>THIS DOCUMENT AND INFORMATION CONTAINED IN IT ARE CONFIDENTIAL, AND CANNOT BE COPIED OR DISCLOSED IN WHOLE OR IN PART WITHOUT THE EXPRESS WRITTEN CONSENT OF YASKAWA AMERICA INC.</i></p>	DRAWN: E.WEISPFENNING	DATE: 11/02/16	TITLE: SCHEMATIC MV 800HP 102A W/ SG 240/120V	
	CHECKED: M.SEVILLA	DATE: 11/02/16	MATERIAL # N/A	
	TECH: -	DATE: -	SIZE B	REVISION 02
	APPROVED: B.SCHOWANSON	DATE: 11/02/16	PAGE 2 OF 11	DRAWING #: DS.MV1K.N1.AD.10C.04
	ORIGINAL DESIGN: E.WEISPFENNING	DATE: 10/11/16		

**MAIN POWER CIRCUIT**

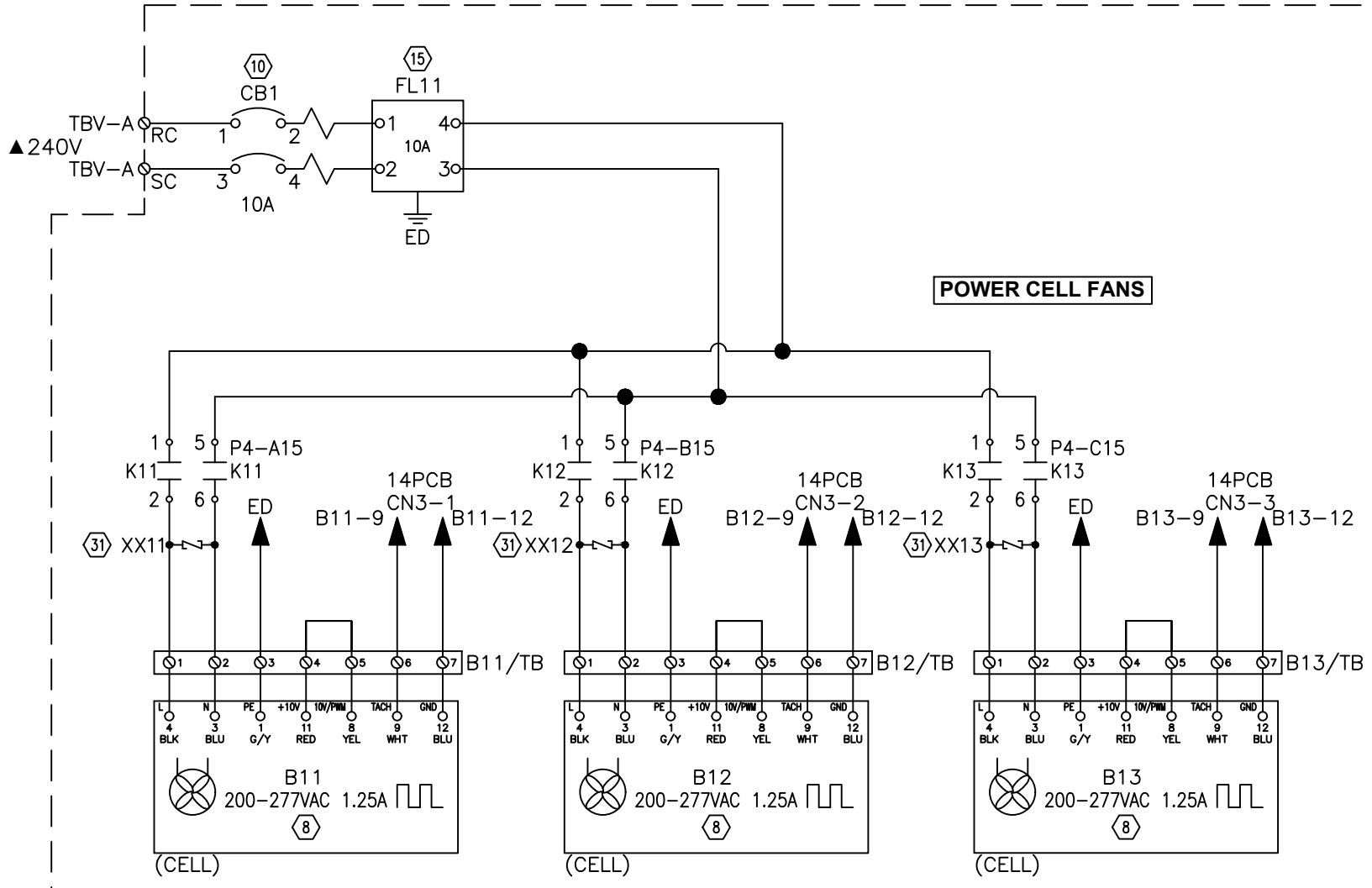


- NOTES:  
 1. CLASS A GROUND RESISTANCE: BELOW 10 OHM  
 2. CLASS D GROUND RESISTANCE: BELOW 100 OHM  
 3. CUSTOMER TO PROVIDE/USE  
 5. ELECTRICAL COMPONENT LIST REFERENCE NUMBER

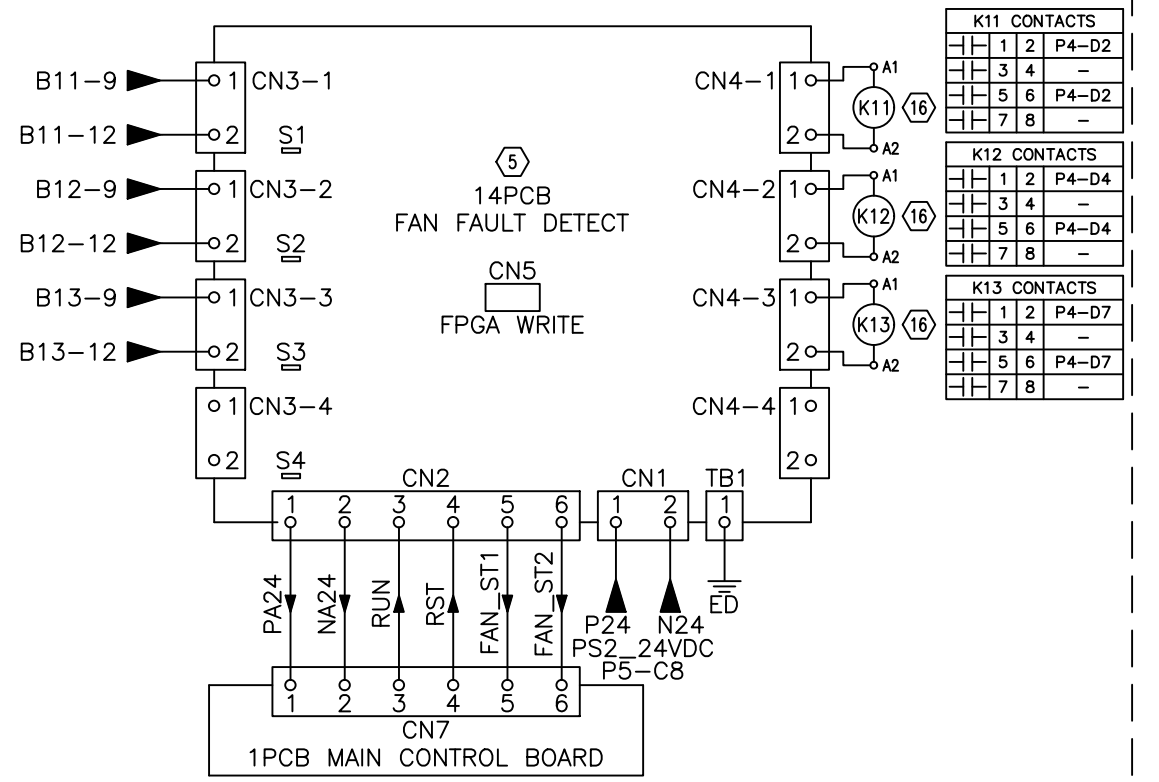
<p>THIS DOCUMENT AND INFORMATION CONTAINED IN IT ARE CONFIDENTIAL, AND CANNOT BE COPIED OR DISCLOSED IN WHOLE OR IN PART WITHOUT THE EXPRESS WRITTEN CONSENT OF YASKAWA AMERICA INC.</p>	DRAWN: E. WEISPFENNING CHECKED: M. SEVILLA TECH: - APPROVED: B. SCHOWANSON ORIGINAL DESIGN: E. WEISPFENNING	DATE: 11/02/16 DATE: 11/02/16 DATE: 11/02/16 DATE: 10/11/16	TITLE: SCHEMATIC MV 800HP 102A W/ SG 240/120V MATERIAL # N/A SIZE B REVISION 02 PAGE 3 OF 11 DRAWING #: DS.MV1K.N1.AD.10C.04
--	---	--	---

**TRANSFORMER & POWER CELL FANS**

(CTRL) UNLESS OTHERWISE NOTED



CONNECTIONS ARE ON THIS PAGE



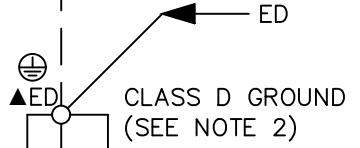
K11 CONTACTS			
1	2	P4-D2	
3	4	-	
5	6	P4-D2	
7	8	-	

K12 CONTACTS			
1	2	P4-D4	
3	4	-	
5	6	P4-D4	
7	8	-	

K13 CONTACTS			
1	2	P4-D7	
3	4	-	
5	6	P4-D7	
7	8	-	

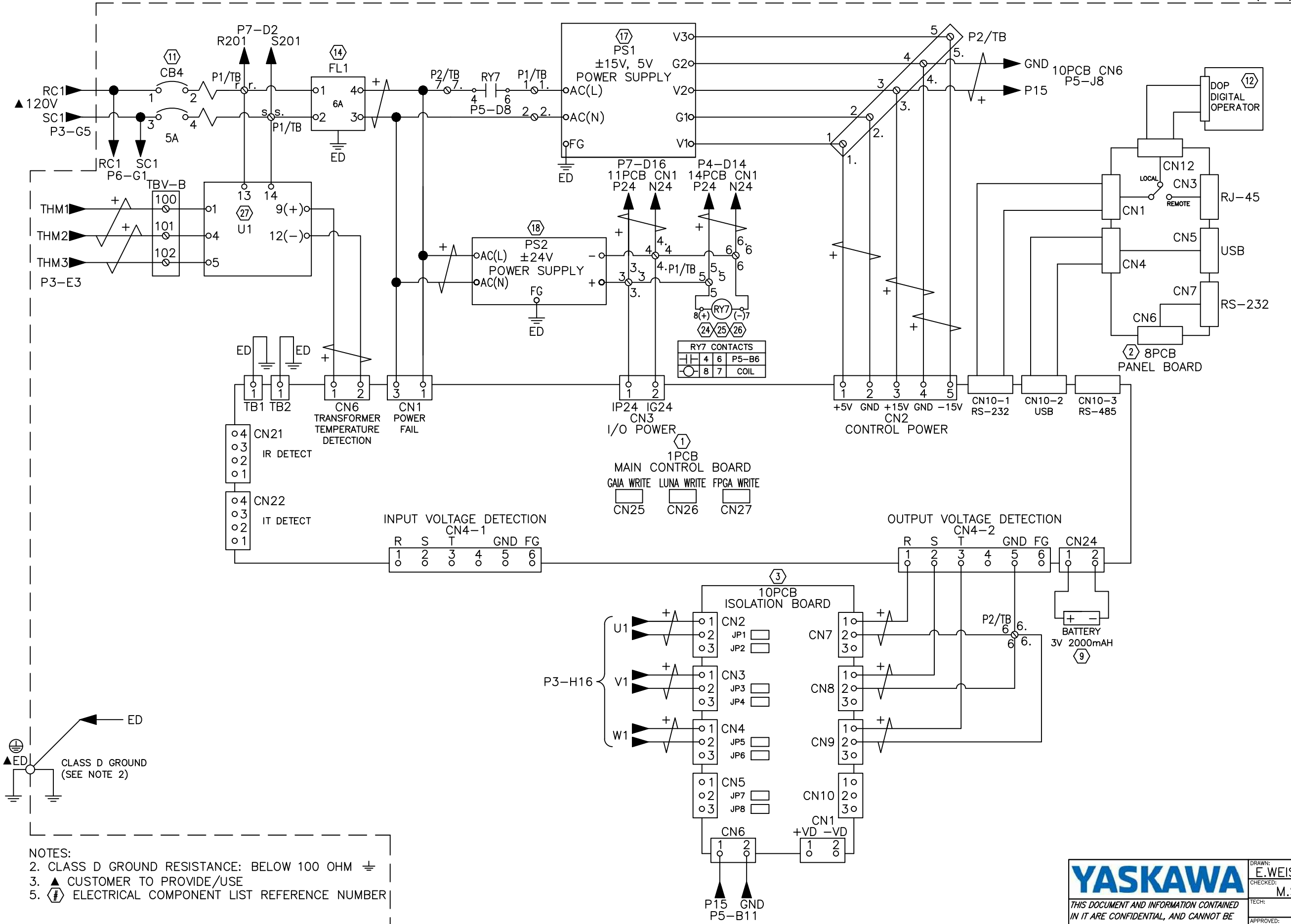


- NOTES:
2. CLASS D GROUND RESISTANCE: BELOW 100 OHM  $\equiv$
  3. ▲ CUSTOMER TO PROVIDE/USE
  5. Ⓢ ELECTRICAL COMPONENT LIST REFERENCE NUMBER

<p>THIS DOCUMENT AND INFORMATION CONTAINED IN IT ARE CONFIDENTIAL, AND CANNOT BE COPIED OR DISCLOSED IN WHOLE OR IN PART WITHOUT THE EXPRESS WRITTEN CONSENT OF YASKAWA AMERICA INC.</p>	DRAWN: E.WEISPFENNING CHECKED: M.SEVILLA TECH: - APPROVED: B.SCHOWANSON ORIGINAL DESIGN: E.WEISPFENNING	DATE: 11/02/16 DATE: 11/02/16 DATE: - DATE: 11/02/16 DATE: 10/11/16	TITLE: SCHEMATIC MV 800HP 102A W/ SG 240/120V MATERIAL # N/A SIZE B REVISION 02 PAGE 4 OF 11 DRAWING #: DS.MV1K.N1.AD.10C.04
--	---	---	---

**DC POWER DIST & MAIN CONTROL BOARD**

(CTRL)

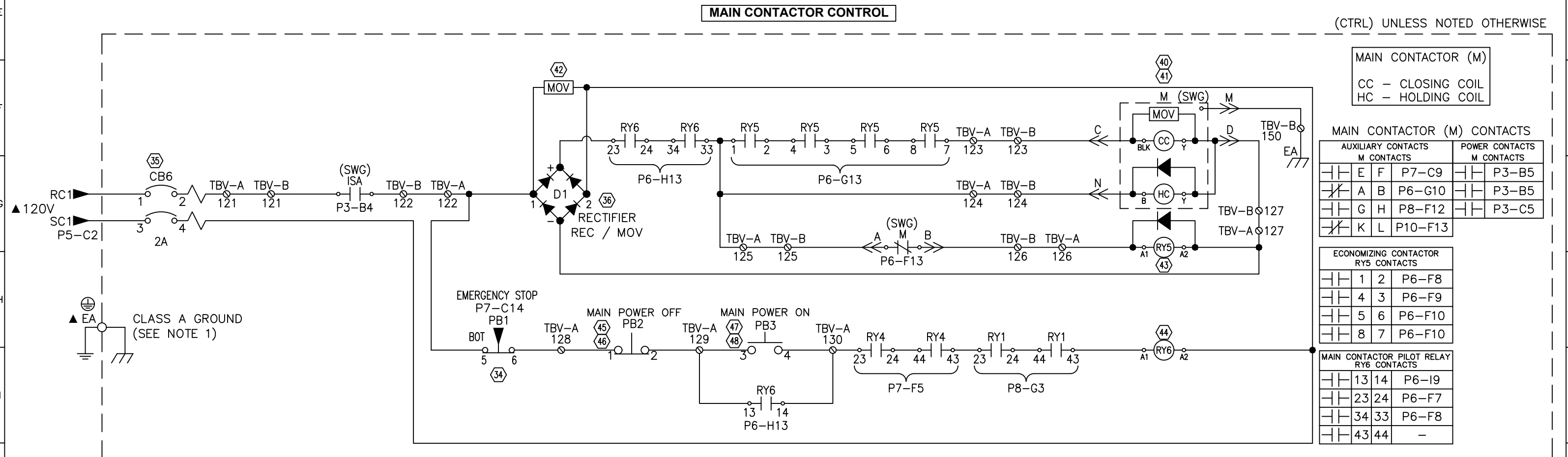
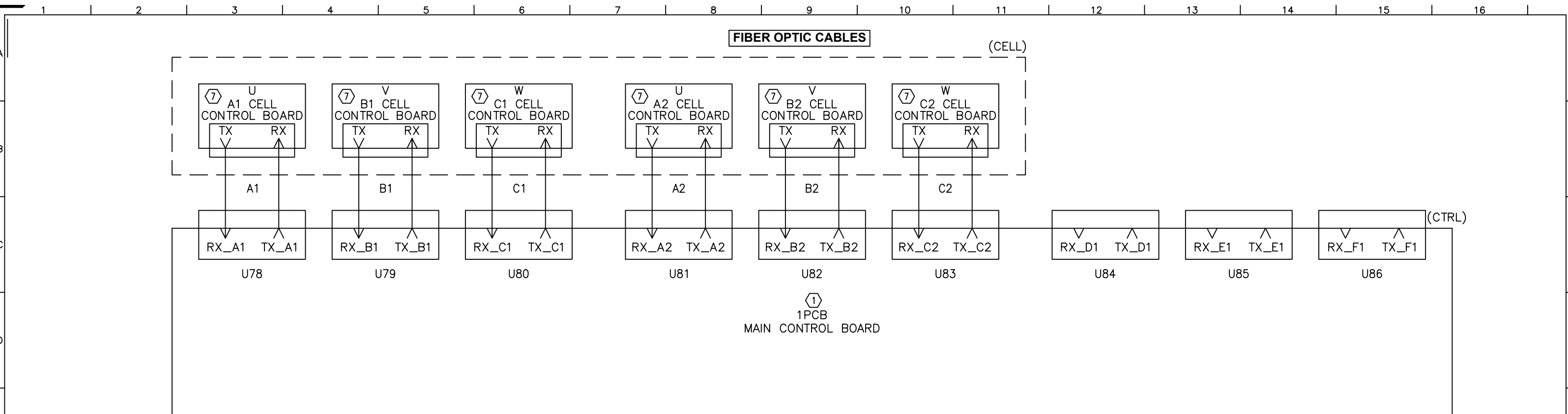


- NOTES:  
 2. CLASS D GROUND RESISTANCE: BELOW 100 OHM  $\perp$   
 3. ▲ CUSTOMER TO PROVIDE/USE  
 5. # ELECTRICAL COMPONENT LIST REFERENCE NUMBER



THIS DOCUMENT AND INFORMATION CONTAINED IN IT ARE CONFIDENTIAL, AND CANNOT BE COPIED OR DISCLOSED IN WHOLE OR IN PART WITHOUT THE EXPRESS WRITTEN CONSENT OF YASKAWA AMERICA INC.

DRAWN: E. WEISPFENNING	DATE 11/02/16	TITLE: SCHEMATIC MV 800HP 102A W/ SG 240/120V
CHECKED: M. SEVILLA	DATE 11/02/16	MATERIAL # N/A
TECH: -	DATE -	SIZE B
APPROVED: B. SCHOWANSON	DATE 11/02/16	REVISION 02
ORIGINAL DESIGN: E. WEISPFENNING	DATE 10/11/16	PAGE 5 OF 11
		DRAWING #: DS.MV1K.N1.AD.10C.04



- NOTES:
1. CLASS A GROUND RESISTANCE: BELOW 10 OHM
  3. CUSTOMER TO PROVIDE/USE
  5. ELECTRICAL COMPONENT LIST REFERENCE NUMBER

**YASKAWA**

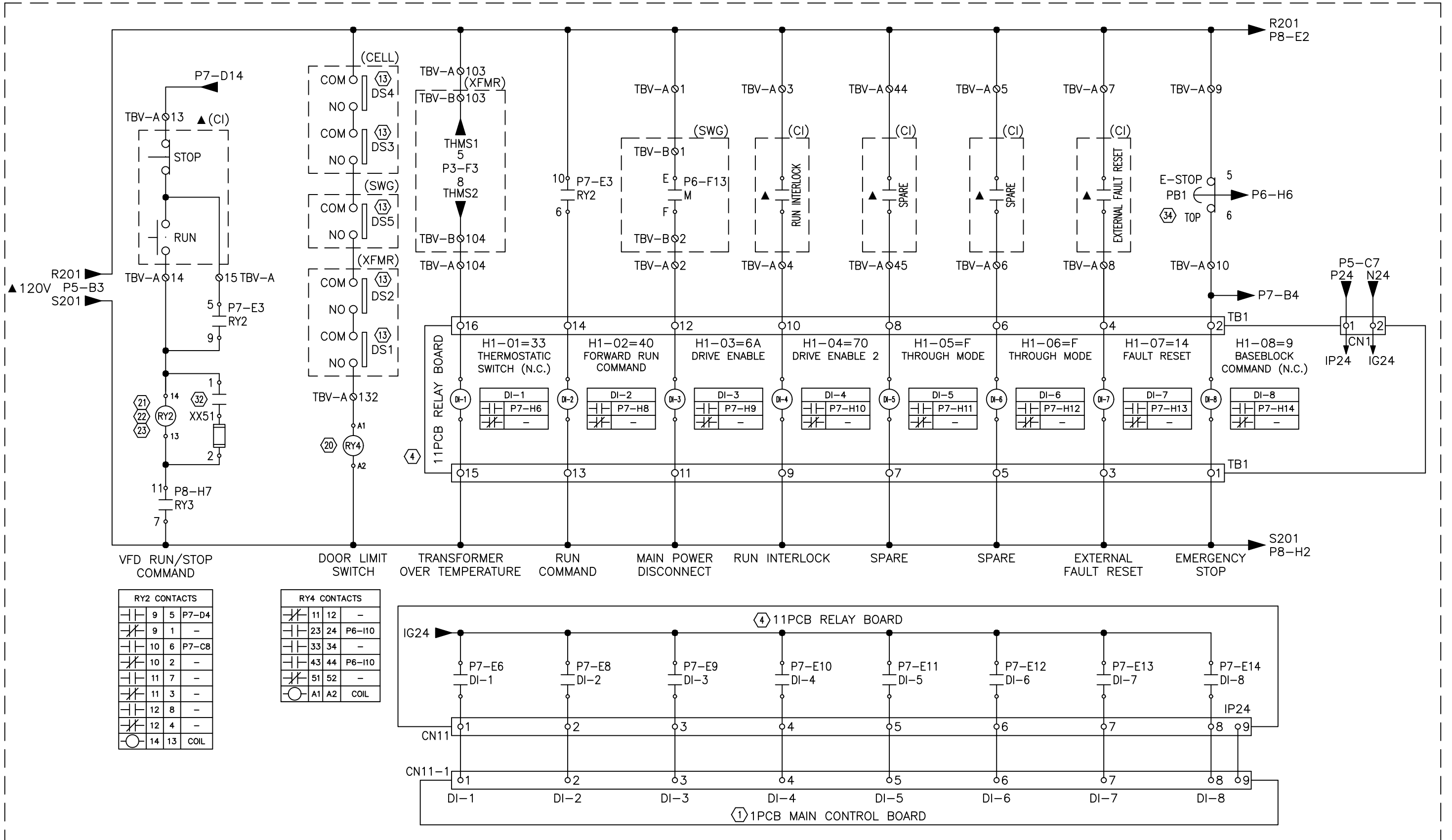
THIS DOCUMENT AND INFORMATION CONTAINED IN IT ARE CONFIDENTIAL, AND CANNOT BE COPIED OR DISCLOSED IN WHOLE OR IN PART WITHOUT THE EXPRESS WRITTEN CONSENT OF YASKAWA AMERICA INC.

DRAWN: E. WEISPFENNING	DATE: 11/02/16	TITLE: SCHEMATIC MV 800HP 102A W/ SG 240/120V
CHECKED: M. SEVILLA	DATE: 11/02/16	MATERIAL # N/A
TECH: -	DATE: -	SIZE B
APPROVED: B. SCHOWANSON	DATE: 11/02/16	REVISION 02
ORIGINAL DESIGN: E. WEISPFENNING	DATE: 10/11/16	PAGE 6 OF 11

DRAWING #: DS.MV1K.N1.AD.10C.04

DIGITAL INPUTS

(CTRL) UNLESS NOTED OTHERWISE



VFD RUN/STOP COMMAND

DOOR LIMIT SWITCH

TRANSFORMER OVER TEMPERATURE

RUN COMMAND

MAIN POWER DISCONNECT

RUN INTERLOCK

SPARE

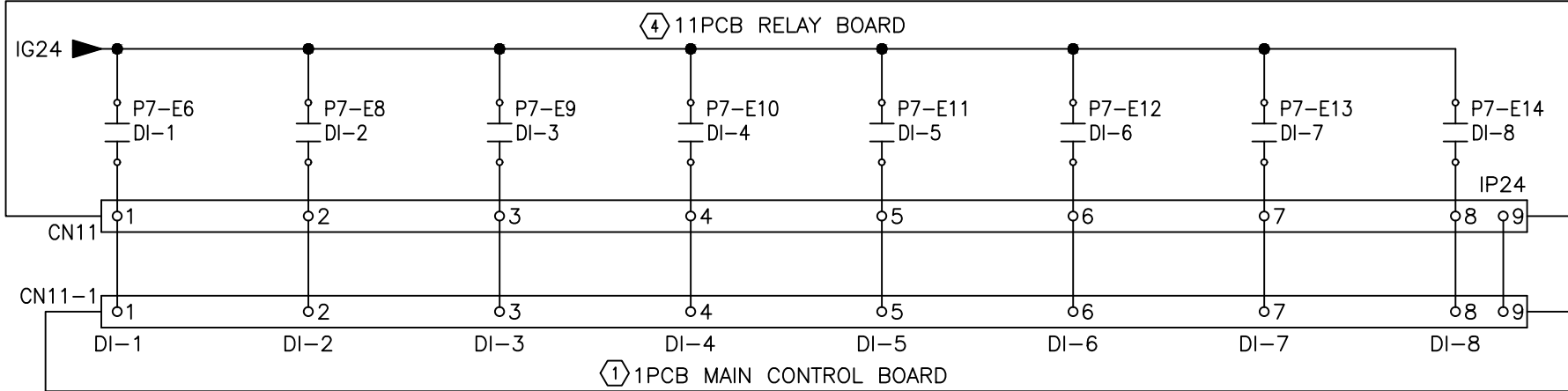
SPARE

EXTERNAL FAULT RESET

EMERGENCY STOP

RY2 CONTACTS			
9	5	P7-D4	
9	1	-	
10	6	P7-C8	
10	2	-	
11	7	-	
11	3	-	
12	8	-	
12	4	-	
14	13	COIL	

RY4 CONTACTS			
11	12	-	
23	24	P6-110	
33	34	-	
43	44	P6-110	
51	52	-	
A1	A2	COIL	

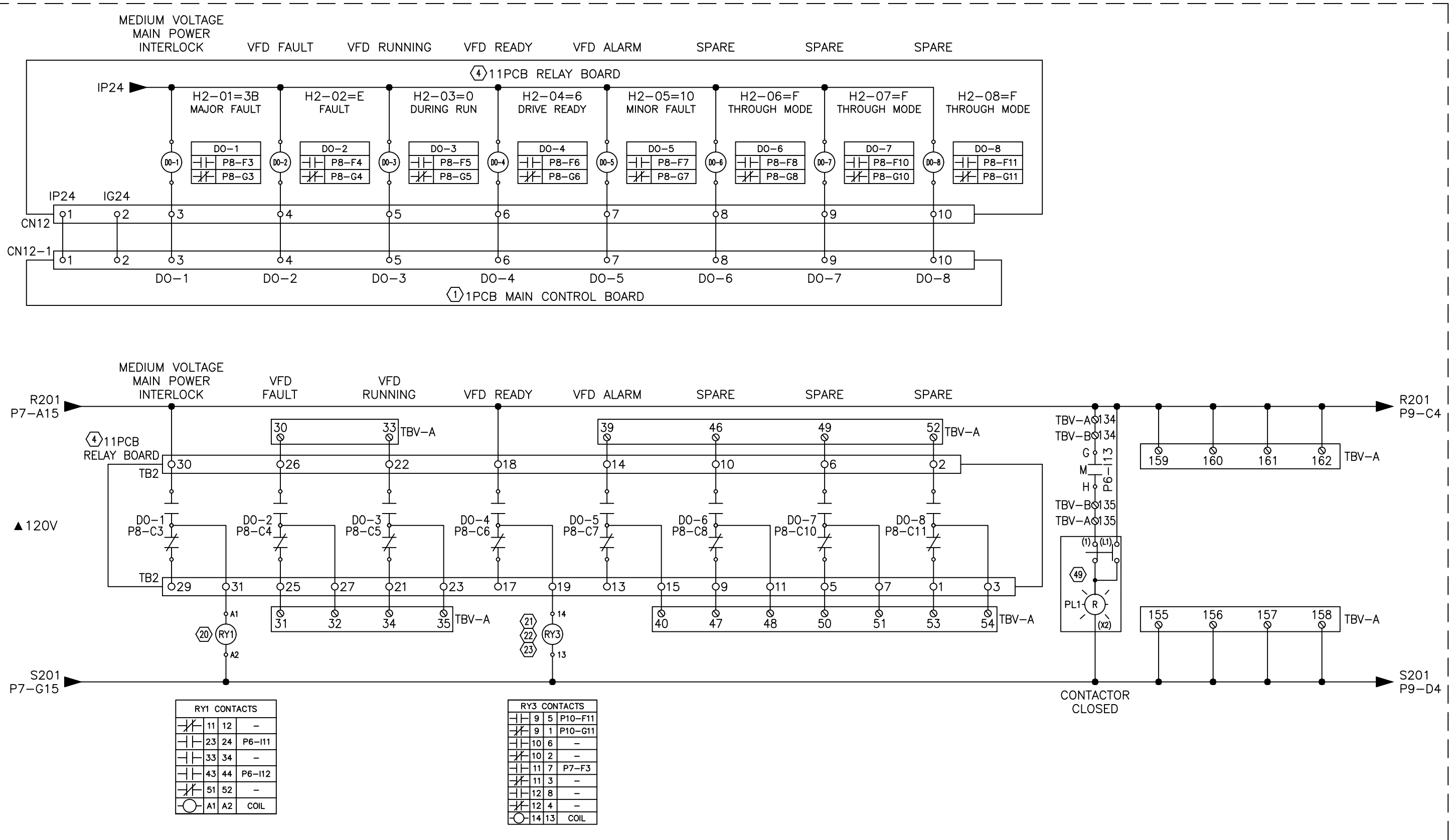


- NOTES:
- ▲ CUSTOMER TO PROVIDE/USE
  - SEE PAGE 48-54 FOR PARAMETER SETTING DETAILS
  - Ⓢ ELECTRICAL COMPONENT LIST REFERENCE NUMBER

<p>THIS DOCUMENT AND INFORMATION CONTAINED IN IT ARE CONFIDENTIAL, AND CANNOT BE COPIED OR DISCLOSED IN WHOLE OR IN PART WITHOUT THE EXPRESS WRITTEN CONSENT OF YASKAWA AMERICA INC.</p>	DRAWN: E. WEISPFENNING	DATE: 11/02/16	TITLE: SCHEMATIC MV 800HP 102A W/ SG 240/120V	
	CHECKED: M. SEVILLA	DATE: 11/02/16	MATERIAL # N/A	
	TECH: -	DATE: -	SIZE B	REVISION 02
	APPROVED: B. SCHOWANSON	DATE: 11/02/16	PAGE 7 OF 11	
	ORIGINAL DESIGN: E. WEISPFENNING	DATE: 10/11/16	DRAWING #: DS.MV1K.N1.AD.10C.04	

DIGITAL OUTPUTS

(CTRL)



- NOTES:
3. ▲ CUSTOMER TO PROVIDE/USE
  4. SEE PAGE 48-54 FOR PARAMETER SETTING DETAILS
  5. (#) ELECTRICAL COMPONENT LIST REFERENCE NUMBER



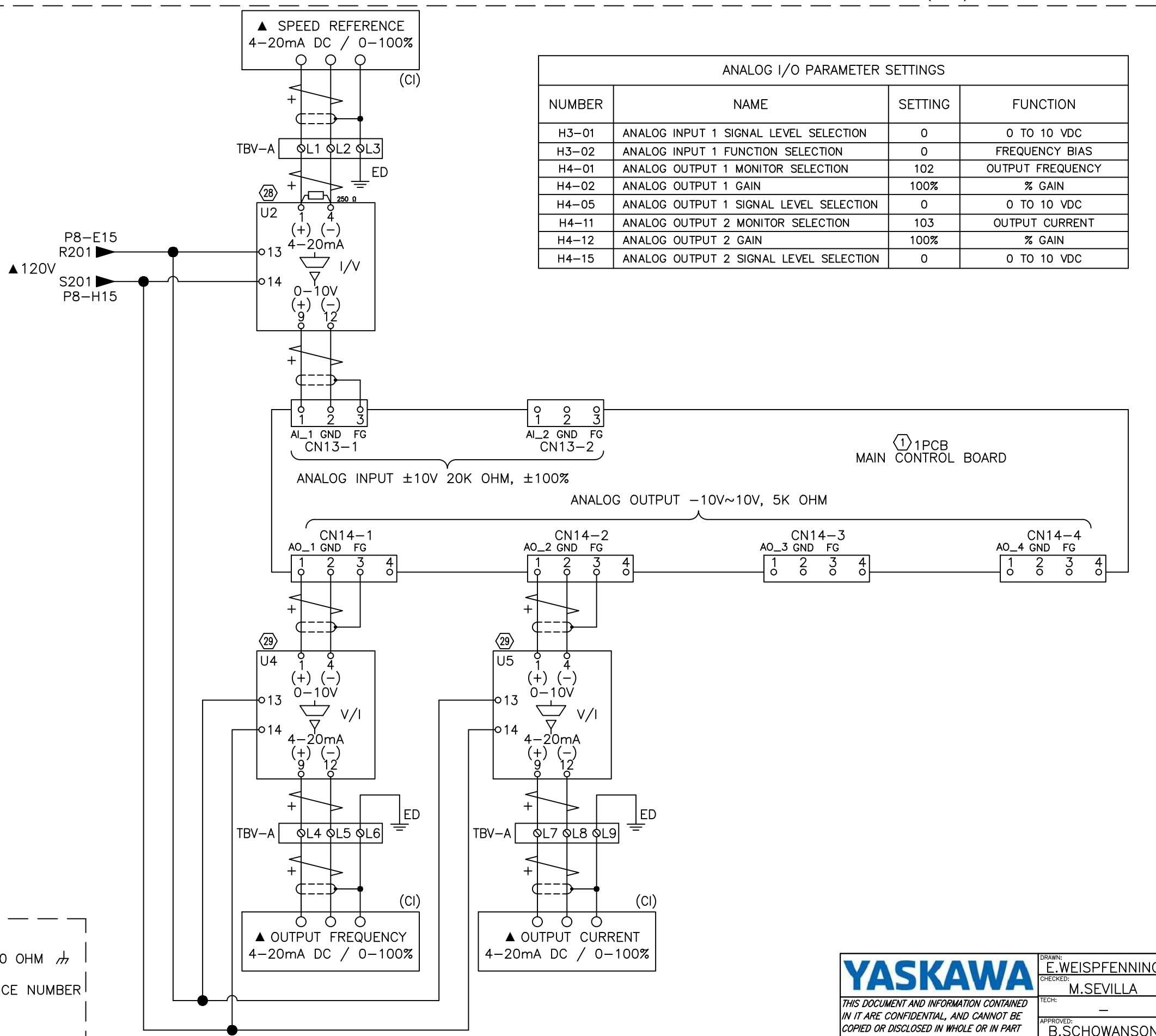
THIS DOCUMENT AND INFORMATION CONTAINED IN IT ARE CONFIDENTIAL, AND CANNOT BE COPIED OR DISCLOSED IN WHOLE OR IN PART WITHOUT THE EXPRESS WRITTEN CONSENT OF YASKAWA AMERICA INC.

DRAWN: E. WEISPFENNING	DATE: 11/02/16	TITLE: SCHEMATIC MV 800HP 102A W/ SG 240/120V
CHECKED: M. SEVILLA	DATE: 11/02/16	MATERIAL # N/A
TECH: -	DATE: -	SIZE B
APPROVED: B. SCHOWANSON	DATE: 11/02/16	REVISION 02
ORIGINAL DESIGN: E. WEISPFENNING	DATE: 10/11/16	PAGE 8 OF 11
DRAWING #: DS.MV1K.N1.AD.10C.04		



**ANALOG INPUTS & OUTPUTS**

(CTRL) UNLESS OTHERWISE NOTED

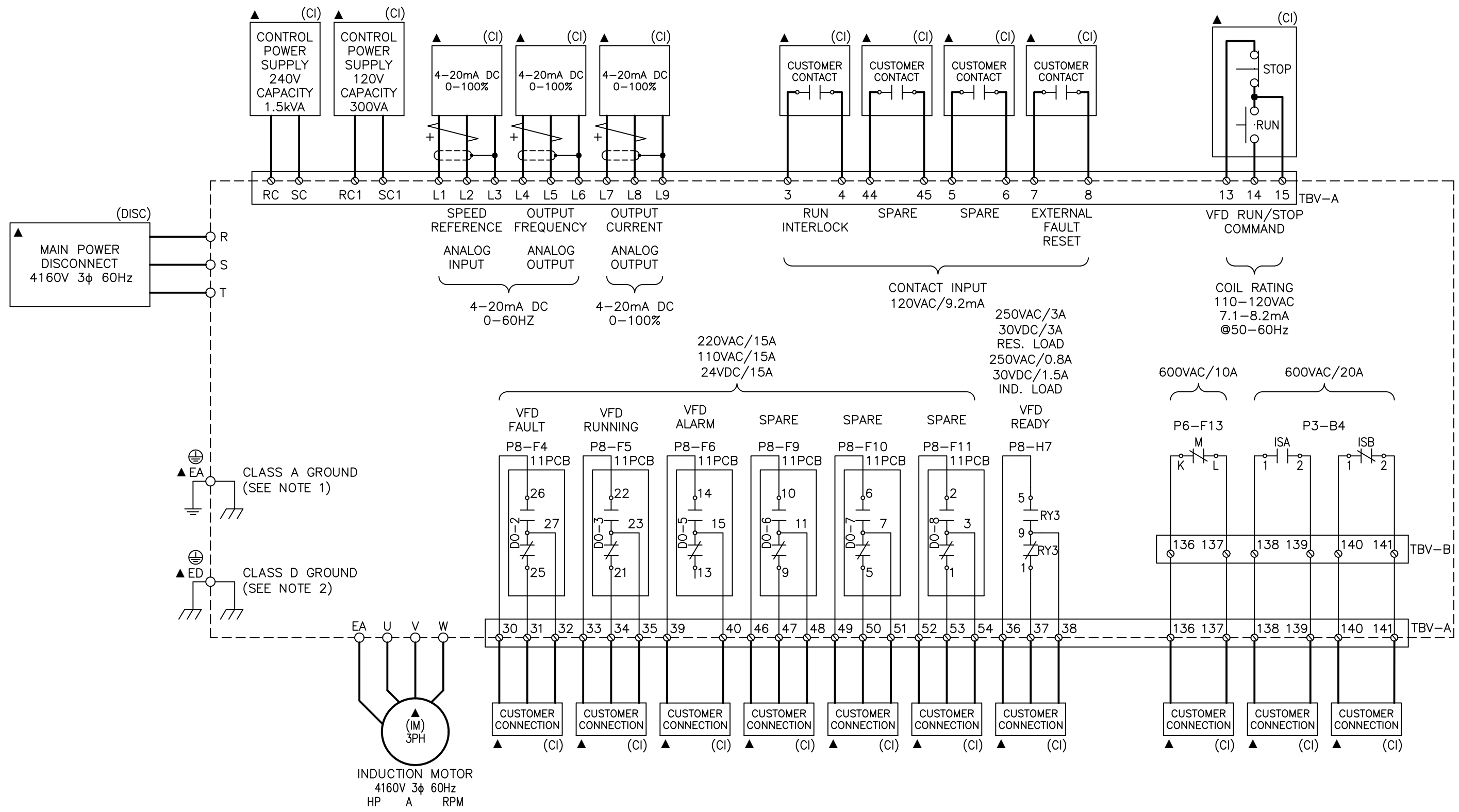


ANALOG I/O PARAMETER SETTINGS			
NUMBER	NAME	SETTING	FUNCTION
H3-01	ANALOG INPUT 1 SIGNAL LEVEL SELECTION	0	0 TO 10 VDC
H3-02	ANALOG INPUT 1 FUNCTION SELECTION	0	FREQUENCY BIAS
H4-01	ANALOG OUTPUT 1 MONITOR SELECTION	102	OUTPUT FREQUENCY
H4-02	ANALOG OUTPUT 1 GAIN	100%	% GAIN
H4-05	ANALOG OUTPUT 1 SIGNAL LEVEL SELECTION	0	0 TO 10 VDC
H4-11	ANALOG OUTPUT 2 MONITOR SELECTION	103	OUTPUT CURRENT
H4-12	ANALOG OUTPUT 2 GAIN	100%	% GAIN
H4-15	ANALOG OUTPUT 2 SIGNAL LEVEL SELECTION	0	0 TO 10 VDC

- NOTES:  
 2. CLASS D GROUND RESISTANCE: BELOW 100 OHM  $\nabla$   
 3. ▲ CUSTOMER TO PROVIDE/USE  
 5. Ⓜ ELECTRICAL COMPONENT LIST REFERENCE NUMBER

<p>THIS DOCUMENT AND INFORMATION CONTAINED IN IT ARE CONFIDENTIAL, AND CANNOT BE COPIED OR DISCLOSED IN WHOLE OR IN PART WITHOUT THE EXPRESS WRITTEN CONSENT OF YASKAWA AMERICA INC.</p>	DRAWN: E.WEISPFENNING CHECKED: M.SEVILLA TECH: - APPROVED: B.SCHOWANSON ORIGINAL DESIGN: E.WEISPFENNING	DATE: 11/02/16 DATE: 11/02/16 DATE: - DATE: 11/02/16 DATE: 10/11/16	TITLE: SCHEMATIC MV 800HP 102A W/ SG 240/120V MATERIAL # N/A SIZE B REVISION 02 PAGE 9 OF 11 DRAWING #: DS.MV1K.N1.AD.10C.04
--	---	---	---

**CUSTOMER INPUTS AND OUTPUTS**




- NOTES:  
 1. CLASS A GROUND RESISTANCE: BELOW 10 OHM ⚡  
 2. CLASS D GROUND RESISTANCE: BELOW 100 OHM ⚡  
 3. ▲ CUSTOMER TO PROVIDE/USE

<p>THIS DOCUMENT AND INFORMATION CONTAINED IN IT ARE CONFIDENTIAL, AND CANNOT BE COPIED OR DISCLOSED IN WHOLE OR IN PART WITHOUT THE EXPRESS WRITTEN CONSENT OF YASKAWA AMERICA INC.</p>	DRAWN: E. WEISPFENNING CHECKED: M. SEVILLA TECH: - APPROVED: B. SCHOWANSON ORIGINAL DESIGN: E. WEISPFENNING	DATE: 11/02/16 DATE: 11/02/16 DATE: - DATE: 11/02/16 DATE: 10/11/16	TITLE: SCHEMATIC MV 800HP 102A W/ SG 240/120V MATERIAL # N/A SIZE B REVISION 02 PAGE 10 OF 11 DRAWING #: DS.MV1K.N1.AD.10C.04
--	---	---	--

**ELECTRICAL COMPONENT LIST**

#	REFERENCE DESIGNATOR(S)	YASKAWA PART #	DESCRIPTION	MANUFACTURER	MANUFACTURER PART #
1	1PCB	100-064-008	MAIN CONTROL BOARD	YASKAWA	100-064-008
2	8PCB	100-064-011	PANEL BOARD-DIGITAL OP	YASKAWA	100-064-011
3	10PCB	100-064-429	VOLTAGE ISOLATION BOARD	YASKAWA	100-064-429
4	11PCB	100-088-860	RELAY BOARD (120V)	YASKAWA	100-088-860
5	14PCB	100-243-858	FAN CONTROL BOARD	YASKAWA	100-243-858
6	TI	UPT000402	TRANSFORMER, MV, 735KVA, 2400V/1200V	HITRAN	ZI0526-00
7	A1-C2	100-203-904	POWER CELL 100A	YASKAWA	100-203-904
8	B11-B13	UFN000227	FAN 200-277VAC 1PH 1.25A	EBM PABST	S3G250-BC54-12
9	BATTERY	UBA000110	BATTERY 3V 2000MAH	PANASONIC	CR6L-CN014S
10	CB1	300-034-598	CIRCUIT BREAKER 480V 2P 10A	EATON	FAZ-D10/2-RT
11	CB4	300-034-597	CIRCUIT BREAKER 480V 2P 5A	EATON	FAZ-D5/2-RT
12	DOP	100-142-915	DIGITAL OPERATOR	YASKAWA	100-142-915
13	DS1-DS5	USW000540	SWITCH DOOR LIMIT 10A SPDT	YAMATAKE	BZ-2RQ1-T4-J
14	FL1	UFI000322	FILTER 250VAC/DC 6A	TDK	RSEN-2006
15	FL11	UFI000323	FILTER 250VAC/DC 10A	TDK	RSEN-2010
16	K11-K13	100-107-264KD	RELAY 3PST 6A 24VDC 4NO	FUJI ELECTRONICS	SK06L-E10
17	PS1	UPS000242	POWER SUPPLY 200V +5/+15VDC	COSEL	LDC30F-2-SNC
18	PS2	300-034-595	POWER SUPPLY 200V 24V	COSEL	PBA50F-24-C
19	R21-R26	300-034-607	RESISTOR 15KV 5W 1.5MΩ 5%	CADDOCK	MG745-1.5M-0.5
20	RY1, RY4	UMC000239	CONTACTOR 3NO 2NC	MITSUBISHI	SR-T5SA AC100V 3A2B
21	RY2, RY3	URY000353	RELAY 110-120VAC 3A 4PDT	IDEC	RU42S-CR-A110
22	RY2, RY3	URY000330	RELAY BASE 250V 6A	IDEC	SY4S-05DN
23	RY2, RY3	URY000331	RELAY HOLD DOWN CLIP	IDEC	SFA-502
24	RY7	URY000329	RELAY, SPST-NO, 24VDC COIL	OMRON	G3H-203SLN-VD
25	RY7	URY000164	SOCKET, RELAY, 2P, OMRON	OMRON	PTF08A-E
26	RY7	999ZZZ-0611	PYC-A1 OMRON RELAY CLIP	OMRON	PYC-A1

#	REFERENCE DESIGNATOR(S)	YASKAWA PART #	DESCRIPTION	MANUFACTURER	MANUFACTURER PART #
27	U1	300-034-591	TRANSMITTER RTD-200 TO+650C/0-10VDC	M SYSTEMS CO LTD	M2RS-44-M2/UL
28	U2	300-034-592	TRANSMITTER SIGNAL 4-20MA/0-10VDC	M SYSTEMS CO LTD	M2VS-A4-M2/UL
29	U4, U5	300-034-593	TRANSMITTER SIGNAL 0-10VDC/4-20MA	M SYSTEMS CO LTD	M2VS-4A-M2/UL
30	XX1-XX6	UXX000024	SURGE ARRESTORS 3KV	COOPER POWER SYSTEMS	URT03040D1C1A1A
31	XX11-XX13	C--003634	SUPPRESSOR COIL 500VAC	NIPPON CHEMI-CON	RFM2H104KD
32	XX51	TXX302	SURGE ABSORBER	NIPPON CHEMI-CON	DCR2-10A25C
33	ZD21-ZD26	300-032-291	ZENER DIODE 12V 31.2MA 3W	ON SEMICONDUCTOR	1N5927BRLG
34	PB1	USW000791	PUSHBUTTON,MUSH,TWIST RELEASE	AB-ROCKWELL	800T-FXT6A5
35	CB6	UCB001172	CIRCUIT BREAKER 480V 2P 2A	EATON	FAZ-D2/2-RT
36	D1	USD000165	DIODE BRIDGE 25A	VISHAY	26MB80A
37	F1-F3	UFU000318	FUSE MV ERATED 250A CLIP	MERSEN	A055F1D0R0-250E
38	IS	USW000547	DISCONNECT SW 5KV 400A CLIP FUSE	AB-ROCKWELL	1503S-4C
39	IS	USW000551	DISCONNECT HANDLE 5KV 400A	AB-ROCKWELL	1503-HM1
40	M	UMC000236	CONTACTOR 7.2KV 400A 110VDC	AB-ROCKWELL	1502-V4DBDA-1
41	M	UWH-0018	HARNESS 400A 120V VACUUM CNTR	ROCKWELL AUTOMATION	1503-WHE4D
42	MOV	UXX000017	MOV 150VAC 20MM	AB-ROCKWELL	LTFV150LA20BP
43	RY5	UMC000232	CONTACTOR 12A 110VDC W/DIODE	AB-ROCKWELL	100-C12ED400
44	RY6	URY000355	RELAY 10A 110VAC 4NO	AB-ROCKWELL	700-CF400D
45	PB2	05P00013-0044	RED STANDARD OPERATOR	EATON	10250T102
46	PB2	05P00013-0110	CONTACT BLOCK,C-H,1N.C.	EATON	10250T51
47	PB3	05P00013-0078	PUSH BUTTON, GREEN	EATON	10250T103
48	PB3	05P00013-0109	CONTACT BLOCK,C-H,1N.O.	EATON	10250T53
49	PL1	USD000144	PILOT LIGHT,LED,PTT,RED,221LRP06	EATON	10250T221LRP06

 <p><small>THIS DOCUMENT AND INFORMATION CONTAINED IN IT ARE CONFIDENTIAL, AND CANNOT BE COPIED OR DISCLOSED IN WHOLE OR IN PART WITHOUT THE EXPRESS WRITTEN CONSENT OF YASKAWA AMERICA INC.</small></p>	DRAWN: E.WEISPFENNING CHECKED: M.SEVILLA TECH: - APPROVED: B.SCHOWANSON ORIGINAL DESIGN: E.WEISPFENNING	DATE: 11/02/16 DATE: 11/02/16 DATE: - DATE: 11/02/16 DATE: 10/11/16	TITLE: SCHEMATIC MV 800HP 102A W/ SG 240/120V MATERIAL # N/A SIZE B REVISION 02 DRAWING #: DS.MV1K.N1.AD.10C.04	PAGE 11 OF 11
---	---	---	---	---------------